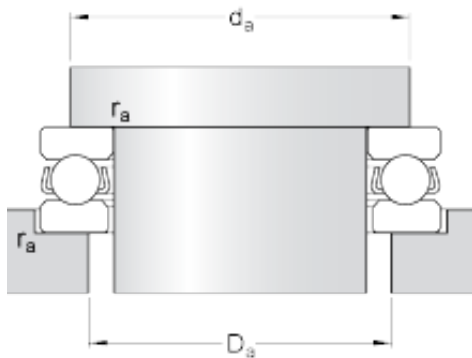




# BEARING INDUSTRIA CUSCINETTI S.P.A.



## skf 351794 Single direction thrust ball bearings

Bearing No. 351794

|   |            |
|---|------------|
| d   | 530 mm     |
| D   | 590 mm     |
| H   | 36 mm      |
| d <sub>1</sub>  | 585 mm     |
| D <sub>1</sub>  | 535 mm     |
| r <sub>1,2</sub> min.                                 | 1 mm       |
| d <sub>a</sub> min.                                   | 564 mm     |
| D <sub>a</sub> max.                                   | 556 mm     |
| r <sub>a</sub> max.                                   | 1 mm       |
| Basic dynamic load rating C                           | 178 kN     |
| Basic static load rating C <sub>0</sub>               | 1370 kN    |
| Fatigue load limit P <sub>u</sub>                     | 21.6 kN    |
| Reference speed                                       | 900 r/min  |
| Limiting speed  | 1200 r/min |
| Minimum load factor A                                 | 8.4        |
| Mass bearing (including seat washer where applicable) | 12.5 kg    |

351794 Bearing 2D drawings and 3D CAD models