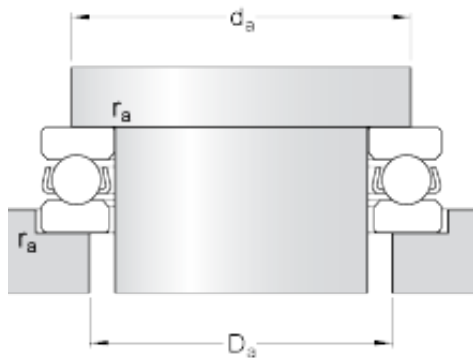




# BEARING INDUSTRIA CUSCINETTI S.P.A.



## skf 511/1180 F Single direction thrust ball bearings

Bearing No. 511/1180 F

d	1180 mm
D	1400 mm
H	175 mm
d <sub>1</sub>	1392 mm
D <sub>1</sub>	1188 mm
r <sub>1,2</sub> min.	6 mm
d <sub>a</sub> min.	1310 mm
D <sub>a</sub> max.	1270 mm
r <sub>a</sub> max.	5 mm
Basic dynamic load rating C	1780 kN
Basic static load rating C <sub>0</sub>	20000 kN
Fatigue load limit P <sub>u</sub>	204 kN
Reference speed	200 r/min
Limiting speed	280 r/min
Minimum load factor A	2100
Mass bearing (including seat washer where applicable)	495 kg

511/1180 F Bearing 2D drawings and 3D CAD models