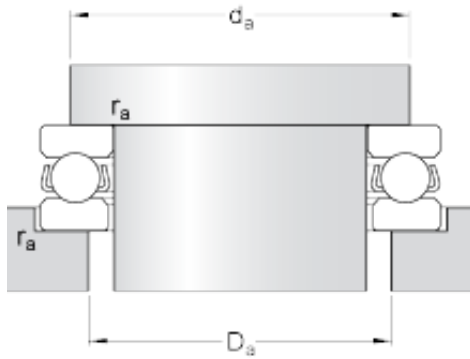




BEARING INDUSTRIA CUSCINETTI S.P.A.



skf 59172 F Single direction thrust ball bearings

Bearing No. 59172 F

d	360 mm
D	440 mm
H	48 mm
d ₁	437 mm
D ₁	363 mm
r _{1,2} min.	2 mm
d _a min.	406 mm
D _a max.	394 mm
r _a max.	2 mm
Basic dynamic load rating C	255 kN
Basic static load rating C ₀	1500 kN
Fatigue load limit P _u	27.5 kN
Reference speed	900 r/min
Limiting speed	1200 r/min
Minimum load factor A	1.2
Mass bearing (including seat washer where applicable)	15 kg

59172 F Bearing 2D drawings and 3D CAD models