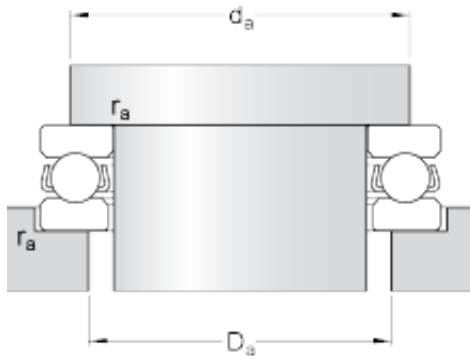




BEARING INDUSTRIA CUSCINETTI S.P.A.



skf 591/1060 F Single direction thrust ball bearings

Bearing No. 591/1060 F

| | |
|---|-----------|
| d | 1060 mm |
| D | 1250 mm |
| H | 115 mm |
| d ₁ | 1244 mm |
| D ₁ | 1066 mm |
| r _{1,2} min. | 5 mm |
| d _a min. | 1172 mm |
| D _a max. | 1138 mm |
| r _a max. | 4 mm |
| Basic dynamic load rating C | 1010 kN |
| Basic static load rating C ₀ | 10400 kN |
| Fatigue load limit P _u | 112 kN |
| Reference speed | 300 r/min |
| Limiting speed | 400 r/min |
| Minimum load factor A | 5600 |
| Mass bearing (including seat washer where applicable) | 240 kg |

591/1060 F Bearing 2D drawings and 3D CAD models