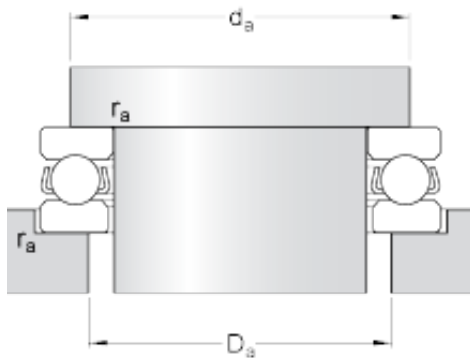




# BEARING INDUSTRIA CUSCINETTI S.P.A.



## skf 51092 F Single direction thrust ball bearings

Bearing No. 51092 F

d	460 mm
D	500 mm
H	30 mm
d <sub>1</sub>	498.5 mm
D <sub>1</sub>	461.5 mm
r <sub>1,2</sub> min.	1 mm
d <sub>a</sub> min.	484 mm
D <sub>a</sub> max.	476 mm
r <sub>a</sub> max.	1 mm
Basic dynamic load rating C	130 kN
Basic static load rating C <sub>0</sub>	950 kN
Fatigue load limit P <sub>u</sub>	17.6 kN
Reference speed	1100 r/min
Limiting speed	1500 r/min
Minimum load factor A	4.7
Mass bearing (including seat washer where applicable)	6.4 kg

51092 F Bearing 2D drawings and 3D CAD models