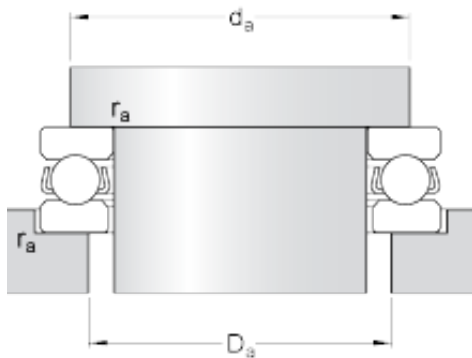




BEARING INDUSTRIA CUSCINETTI S.P.A.



skf 59184 F Single direction thrust ball bearings

Bearing No. 59184 F

d	420 mm
D	500 mm
H	48 mm
d ₁	496 mm
D ₁	423 mm
r _{1,2} min.	2 mm
d _a min.	466 mm
D _a max.	454 mm
r _a max.	2 mm
Basic dynamic load rating C	265 kN
Basic static load rating C ₀	1700 kN
Fatigue load limit P _u	30 kN
Reference speed	850 r/min
Limiting speed	1200 r/min
Minimum load factor A	15
Mass bearing (including seat washer where applicable)	17 kg

59184 F Bearing 2D drawings and 3D CAD models