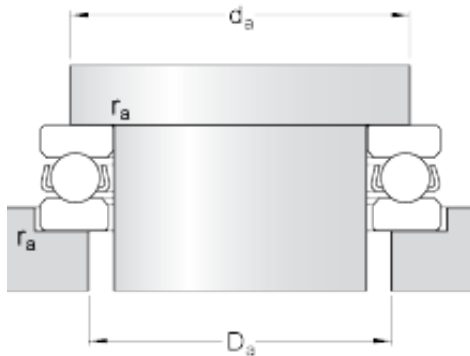




# BEARING INDUSTRIA CUSCINETTI S.P.A.



## skf BD1B 351890 A Single direction thrust ball bearings

Bearing No. BD1B 351890 A

d	1380 mm
D	1535 mm
H	130 mm
d <sub>1</sub>	1535 mm
D <sub>1</sub>	1385 mm
r <sub>1,2</sub> min.	5 mm
d <sub>a</sub> min.	1475 mm
D <sub>a</sub> max.	1445 mm
r <sub>a</sub> max.	4 mm
Basic dynamic load rating C	1330 kN
Basic static load rating C <sub>0</sub>	16300 kN
Fatigue load limit P <sub>u</sub>	156 kN
Reference speed	240 r/min
Limiting speed	340 r/min
Minimum load factor A	1400
Mass bearing (including seat washer where applicable)	310 kg

BD1B 351890 A Bearing 2D drawings and 3D CAD models