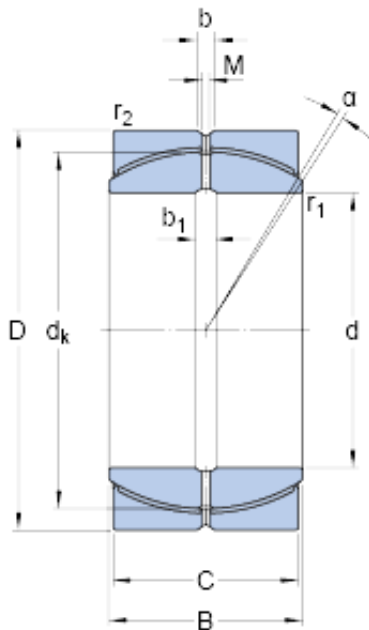




BEARING INDUSTRIA CUSCINETTI S.P.A.



GEP 320 FS Bearing 2D drawings and 3D CAD models

320 mm x 460 mm x 230 mm skf GEP 320 FS
Radial spherical plain bearings

Bearing No. GEP 320 FS

Size	460x320x230 mm
Bore Diameter	460 mm
Outer Diameter	320 mm
Width	230 mm
d	320 mm
D	460 mm
B	230 mm
C	218 mm
	2 °
d _k	414 mm
b	21 mm
b ₁	21 mm
M	8 mm
r ₁ - min.	1.1 mm
r ₂ - min.	3 mm
d _a - min.	335 mm
d _a - max.	344 mm
D _a - min.	385 mm
D _a - max.	434 mm
r _a - max.	1 mm
r _b - max.	3 mm
Basic dynamic load rating - C	6400 kN
Basic static load rating - C ₀	9650 kN
Specific factor dinamic load - K	80 N/mm ²



BEARING INDUSTRIA CUSCINETTI S.P.A.

Specific factor static load - K_0	120 N/mm ²
Constant - K_M	1055
Category	Spherical Plain Bearings - Radial
Inventory	0.0
Manufacturer Name	SKF
Minimum Buy Quantity	N/A
Weight / Kilogram	135.12
EAN	7316570642995
Product Group	B04264
Self Aligning	Yes
Rolling Element	Spherical Plain
Material - Outer Member	Steel
Material - Ball	Steel
Material - Liner	Plastic Teflon
Relubricatable	Yes
Enclosure	Open
Other Features	3 Piece Radially Split Outer Ring Chrome Plated Ball Separable Self Lubricating Lubrication Hole and Groove in Both Rings
Long Description	320MM Bore; 218MM Housing Width; 460MM Outside Diameter; Spherical Plain; Steel Outer Member; Steel Ball; Plastic Teflon Liner; 230MM Overall Width; Relubricatable
Inch - Metric	Metric
Category	Plain Bearings Spherical Radial
UNSPSC	31171515
Harmonized Tariff Code	8483.30.80.70
Noun	Bearing



BEARING INDUSTRIA CUSCINETTI S.P.A.

Keyword 3	Spherical
Keyword String	Plain Spherical Radial
Manufacturer URL	http://www.skf.com
Manufacturer Item Number	GEP 320 FS
Weight / LBS	297.624
Outside Diameter	18.11 Inch 460 Millimeter
Bore	12.598 Inch 320 Millimeter
Overall Width	9.055 Inch 230 Millimeter
Housing Width	8.583 Inch 218 Millimeter
Lubricant	Maintenance free – dry lubrication
Design (sliding contact surface combination)	Steel/PTFE FRP
Sealing solution	-
	2 °
d_k	414 mm
b_1	21 mm
r_1 min.	1.1 mm
r_2 min.	3 mm
d_a min.	335 mm
d_a max.	344 mm
D_a min.	385 mm
D_a max.	434 mm
r_a max.	1 mm
r_b max.	3 mm
Basic dynamic load rating C	6400 kN
Basic static load rating C_0	9650 kN
Specific dynamic load factor K	80 N/mm ²
Specific static load factor K_0	120 N/mm ²
Material constant K_M	1055
Mass plain bearing	132 kg