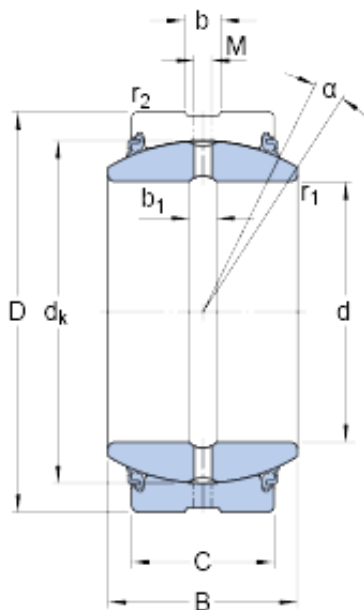




BEARING INDUSTRIA CUSCINETTI S.P.A.



GE 120 ES-2LS Bearing 2D drawings and 3D CAD models

120 mm x 180 mm x 85 mm skf GE 120 ES-2LS
Radial spherical plain bearings

Bearing No. GE 120 ES-2LS

| | |
|---|-----------------------|
| Size | 180x120x85 mm |
| Bore Diameter | 180 mm |
| Outer Diameter | 120 mm |
| Width | 85 mm |
| d | 120 mm |
| D | 180 mm |
| B | 85 mm |
| C | 70 mm |
| | 6 ° |
| d _k | 160 mm |
| b | 13.5 mm |
| b ₁ | 13.5 mm |
| M | 6 mm |
| r ₁ - min. | 1 mm |
| r ₂ - min. | 1 mm |
| d _a - min. | 129.5 mm |
| d _a - max. | 135.5 mm |
| D _a - min. | 157.5 mm |
| D _a - max. | 172 mm |
| r _a - max. | 1 mm |
| r _b - max. | 1 mm |
| Basic dynamic load rating - C | 950 kN |
| Basic static load rating - C ₀ | 4750 kN |
| Specific factor dinamic load - K | 100 N/mm ² |



BEARING INDUSTRIA CUSCINETTI S.P.A.

| | |
|-------------------------------------|-----------------------|
| Specific factor static load - K_0 | 500 N/mm ² |
| Constant - K_M | 330 |
| Size | 120x180x85 mm |
| Bore Diameter | 120 mm |
| Outer Diameter | 180 mm |
| Width | 85 mm |
| d | 120 mm |
| D | 180 mm |
| B | 85 mm |
| C | 70 mm |
| | 6 ° |
| d_k | 160 mm |
| b | 13.5 mm |
| b_1 | 13.5 mm |
| M | 6 mm |
| r_1 - min. | 1 mm |
| r_2 - min. | 1 mm |
| d_a - min. | 129.5 mm |
| d_a - max. | 135.5 mm |
| D_a - min. | 157.5 mm |
| D_a - max. | 172 mm |
| r_a - max. | 1 mm |
| r_b - max. | 1 mm |
| Basic dynamic load rating - C | 950 kN |
| Basic static load rating - C_0 | 4750 kN |
| Specific factor dynamic load - K | 100 N/mm ² |
| Specific factor static load - K_0 | 500 N/mm ² |
| Constant - K_M | 330 |
| | |



BEARING INDUSTRIA CUSCINETTI S.P.A.

| | |
|--|--------------------------------|
| Lubricant | Regular relubrication – grease |
| Design (sliding contact surface combination) | Steel/steel |
| Sealing solution | Triple-lip seals |
| | 6 ° |
| d_k | 160 mm |
| b_1 | 13.5 mm |
| r_1 min. | 1 mm |
| r_2 min. | 1 mm |
| d_a min. | 129.5 mm |
| d_a max. | 135.5 mm |
| D_a min. | 157.5 mm |
| D_a max. | 172 mm |
| r_a max. | 1 mm |
| r_b max. | 1 mm |
| Basic dynamic load rating C | 950 kN |
| Basic static load rating C_0 | 4750 kN |
| Specific dynamic load factor K | 100 N/mm ² |
| Specific static load factor K_0 | 500 N/mm ² |
| Material constant K_M | 330 |
| Mass plain bearing | 8.25 kg |