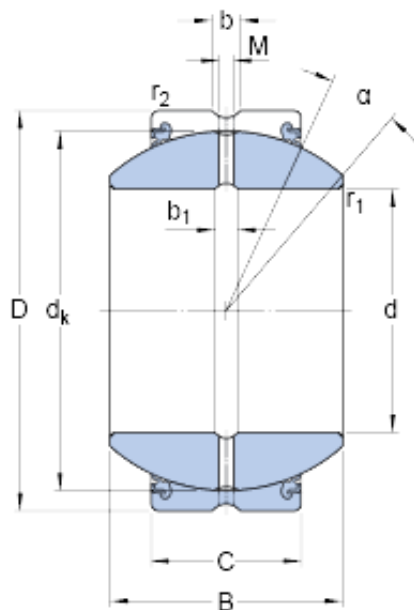




# BEARING INDUSTRIA CUSCINETTI S.P.A.

## 25 mm x 47 mm x 28 mm skf GEH 25 ESX-2LS Radial spherical plain bearings

Bearing No. GEH 25 ESX-2LS



GEH 25 ESX-2LS Bearing 2D drawings and 3D CAD models

Size	47x25x28 mm
Bore Diameter	47 mm
Outer Diameter	25 mm
Width	28 mm
d	25 mm
D	47 mm
B	28 mm
C	18 mm
	17 °
d <sub>k</sub>	40.7 mm
b	3.1 mm
b <sub>1</sub>	3.1 mm
M	2 mm
r <sub>1</sub> - min.	0.6 mm
r <sub>2</sub> - min.	0.6 mm
d <sub>a</sub> - min.	28.6 mm
d <sub>a</sub> - max.	29.5 mm
D <sub>a</sub> - min.	41.3 mm
D <sub>a</sub> - max.	44 mm
r <sub>a</sub> - max.	0.6 mm
r <sub>b</sub> - max.	0.6 mm
Basic dynamic load rating - C	93 kN
Basic static load rating - C <sub>0</sub>	310 kN
Specific factor dinamic load - K	150 N/mm <sup>2</sup>



## BEARING INDUSTRIA CUSCINETTI S.P.A.

Specific factor static load - $K_0$	500 N/mm <sup>2</sup>
Constant - $K_M$	330
Lubricant	Maintenance free – greased for life
Design (sliding contact surface combination)	Steel/steel
Sealing solution	Triple-lip seals
	17 °
$d_k$	40.7 mm
$b_1$	3.1 mm
$r_1$ min.	0.6 mm
$r_2$ min.	0.6 mm
$d_a$ min.	28.6 mm
$d_a$ max.	29.5 mm
$D_a$ min.	41.3 mm
$D_a$ max.	44 mm
$r_a$ max.	0.6 mm
$r_b$ max.	0.6 mm
Basic dynamic load rating C	93 kN
Basic static load rating $C_0$	310 kN
Specific dynamic load factor K	150 N/mm <sup>2</sup>
Specific static load factor $K_0$	500 N/mm <sup>2</sup>
Material constant $K_M$	330
Mass plain bearing	0.2 kg