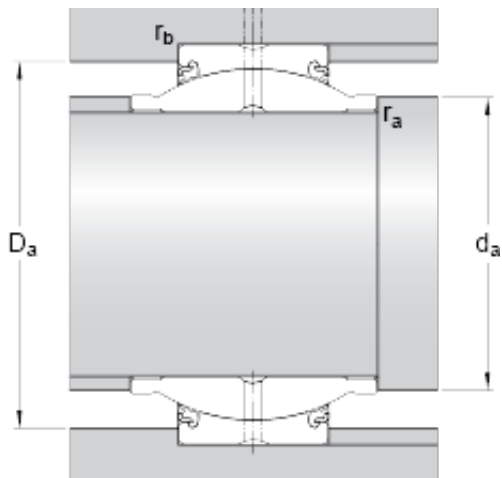




BEARING INDUSTRIA CUSCINETTI S.P.A.



69.85 mm x 111.125 mm x 104.775 mm skf
GEZM 212 ES-2LS Radial spherical plain bearings

Bearing No. GEZM 212 ES-2LS

GEZM 212 ES-2LS Bearing 2D drawings and 3D CAD models

Lubricant	Regular relubrication – grease
Design (sliding contact surface combination)	Steel/steel
Sealing solution	Triple-lip seals
d	69.85 mm
D	111.125 mm
B	104.775 mm
C	52.375 mm
	5 °
d _k	100.33 mm
d ₁	85.852 mm
b	9 mm
b ₁	8 mm
M	6.5 mm
r ₁ min.	1 mm
r ₂ min.	1 mm
d _a min.	76.2 mm
d _a max.	85.9 mm
D _a min.	96 mm
D _a max.	105.7 mm
r _a max.	1 mm
r _b max.	1 mm
Basic dynamic load rating C	420 kN
Basic static load rating C ₀	1270 kN
Specific dynamic load factor	100 N/mm ²



BEARING INDUSTRIA CUSCINETTI S.P.A.

K	
Specific static load factor K_0	300 N/mm ²
Material constant K_M	330
Mass plain bearing	3.1 kg