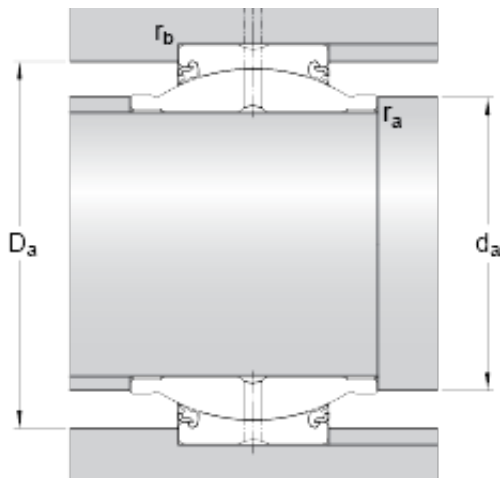




# BEARING INDUSTRIA CUSCINETTI S.P.A.



## 30 mm x 47 mm x 30 mm skf GEM 30 ES-2LS Radial spherical plain bearings

Bearing No. GEM 30 ES-2LS

Lubricant	Regular relubrication – grease
Design (sliding contact surface combination)	Steel/steel
Sealing solution	Triple-lip seals
d	30 mm
D	47 mm
B	30 mm
C	18 mm
	4 °
d <sub>k</sub>	40.7 mm
d <sub>1</sub>	34 mm
b	3.1 mm
b <sub>1</sub>	3.1 mm
M	2 mm
r <sub>1</sub> min.	0.3 mm
r <sub>2</sub> min.	0.6 mm
d <sub>a</sub> min.	33.5 mm
d <sub>a</sub> max.	34 mm
D <sub>a</sub> min.	41.3 mm
D <sub>a</sub> max.	44 mm
r <sub>a</sub> max.	0.3 mm
r <sub>b</sub> max.	0.6 mm
Basic dynamic load rating C	62 kN
Basic static load rating C <sub>0</sub>	310 kN
Specific dynamic load factor	100 N/mm <sup>2</sup>

GEM 30 ES-2LS Bearing 2D drawings and 3D CAD models



## BEARING INDUSTRIA CUSCINETTI S.P.A.

K	
Specific static load factor $K_0$	500 N/mm <sup>2</sup>
Material constant $K_M$	330
Mass plain bearing	0.17 kg