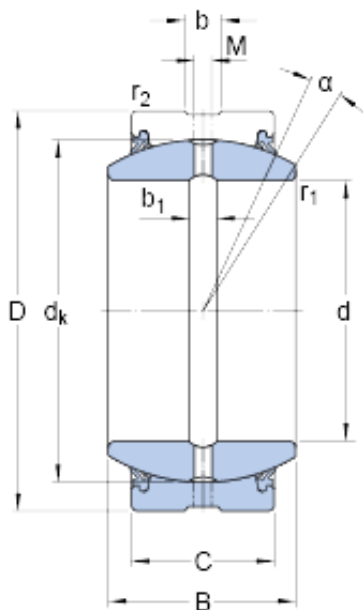




BEARING INDUSTRIA CUSCINETTI S.P.A.

127 mm x 196.85 mm x 111.125 mm skf GEZ
500 ES-2RS Radial spherical plain bearings

Bearing No. GEZ 500 ES-2RS



GEZ 500 ES-2RS Bearing 2D drawings and 3D CAD models

Size	196.85x127x111.125 mm
Bore Diameter	196,85 mm
Outer Diameter	127 mm
Width	111,125 mm
d	127 mm
D	196.85 mm
B	111.125 mm
C	95.25 mm
	6 °
d _k	182.626 mm
b	11 mm
b ₁	10 mm
M	8 mm
r ₁ - min.	1 mm
r ₂ - min.	1.1 mm
d _a - min.	135.5 mm
d _a - max.	144.5 mm
D _a - min.	175.5 mm
D _a - max.	188.5 mm
r _a - max.	1 mm
r _b - max.	1.1 mm
Basic dynamic load rating - C	1400 kN
Basic static load rating - C ₀	4150 kN
Specific factor dinamic load - K	100 N/mm ²



BEARING INDUSTRIA CUSCINETTI S.P.A.

Specific factor static load - K_0	300 N/mm ²
Constant - K_M	330
Category	Spherical Plain Bearings - Radial
Inventory	0.0
Manufacturer Name	SKF
Minimum Buy Quantity	N/A
Weight / Kilogram	13.53
EAN	7316576612503
Product Group	B04264
Self Aligning	Yes
Rolling Element	Spherical Plain
Material - Outer Member	Steel
Material - Ball	Steel
Material - Liner	Not Applicable
Relubricatable	Yes
Enclosure	2 Seals
Other Features	2 Piece Double Lip Seals Lubrication Hole and an Annular Groove in Both Rings
Long Description	5" Bore; 3-3/4" Housing Width; 7-3/4" Outside Diameter; Steel Outer Member; Steel Ball; No Liner; 4-3/8" Overall Width; Relubricatable
Inch - Metric	Inch
Category	Plain Bearings Spherical Radial
UNSPSC	31171515
Harmonized Tariff Code	8483.30.80.70
Noun	Bearing
Keyword 3	Spherical



BEARING INDUSTRIA CUSCINETTI S.P.A.

Keyword String	Plain Spherical Radial
Manufacturer URL	http://www.skf.com
Manufacturer Item Number	GEZ 500 ES-2RS
Weight / LBS	29.8
Overall Width	4.375 Inch 111.125 Millimeter
Housing Width	3.75 Inch 95.25 Millimeter
Bore	5 Inch 127 Millimeter
Outside Diameter	7.75 Inch 196.85 Millimeter
bore diameter:	5.0000 in
outer ring width:	3.7500 in
outside diameter:	7.7500 in
grade:	Commercial/Industrial
misalignment angle:	6 °
radial static load capacity:	932957 lbf
inner ring width:	4.3750 in
radial dynamic load capacity:	314733 lbf
bearing type:	Radial
operating temperature range:	-30 to +130 ° C ° F
lubrication type:	Requires Lubrication
overall width:	4.3750 in
closure type:	Sealed
weight:	29.80 lbs
outer ring material:	Chrome Steel
manufacturer product page:	Click here
inner ring material:	Chrome Steel
manufacturer upc number:	7316576612503
Lubricant	Regular relubrication – grease
Design (sliding contact surface combination)	Steel/steel



BEARING INDUSTRIA CUSCINETTI S.P.A.

Sealing solution	Double-lip seals
	6 °
d_k	182.626 mm
b_1	10 mm
r_1 min.	1 mm
r_2 min.	1.1 mm
d_a min.	135.5 mm
d_a max.	144.5 mm
D_a min.	175.5 mm
D_a max.	188.5 mm
r_a max.	1 mm
r_b max.	1.1 mm
Basic dynamic load rating C	1400 kN
Basic static load rating C_0	4150 kN
Specific dynamic load factor K	100 N/mm ²
Specific static load factor K_0	300 N/mm ²
Material constant K_M	330
Mass plain bearing	13.5 kg