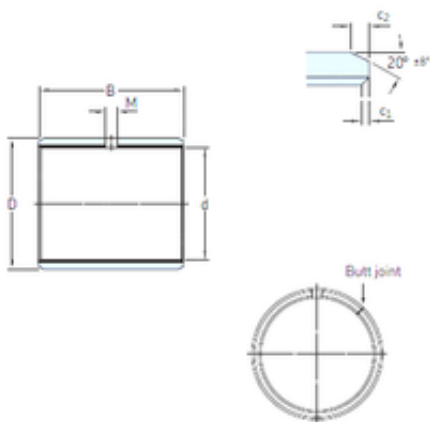




BEARING INDUSTRIA CUSCINETTI S.P.A.

200 mm x 205 mm x 100 mm skf PCM 200205100 M Plain bearings, Bushings

Bearing No. PCM 200205100 M



PCM 200205100 M Bearing 2D drawings and 3D CAD models

Size	200x205x100 mm
Bore Diameter	200 mm
Outer Diameter	205 mm
Width	100 mm
d	200 mm
D	205 mm
B	100 mm
c1 min	0,2 mm
c2 min	1,2 mm
M	8 mm
Weight	1,1 Kg
Basic dynamic load rating (C)	2 360 kN
c ₁ min.	0.2 mm
c ₁ max.	1 mm
c ₂ min.	1.2 mm
c ₂ max.	2.4 mm
± 8	20 °
Tolerance shaft	h8
Tolerance housing	H7
Basic dynamic load rating - radial direction C	2360 kN
Basic static load rating - radial direction C ₀	4900 kN
Specific dynamic load factor K	120 N/mm ²
Specific static load factor K ₀	250 N/mm ²



BEARING INDUSTRIA CUSCINETTI S.P.A.

Factor depending on material and bearing type K_M	1900
Permissible sliding velocity v min.	0 m/s
Permissible sliding velocity v max.	2.5 m/s
Coefficient of friction μ min.	0.02
Coefficient of friction μ max.	0.2
Mass bushing	1.1 kg