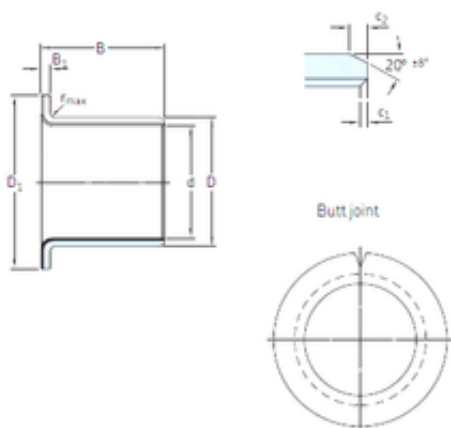




# BEARING INDUSTRIA CUSCINETTI S.P.A.

14 mm x 16 mm x 12 mm skf PCMF 141612 E  
Plain bearings, Bushings



Bearing No. PCMF 141612 E

Size	14x16x12 mm
Bore Diameter	14 mm
Outer Diameter	16 mm
Width	12 mm
d	14 mm
D	16 mm
B	12 mm
c1 min	0,1 mm
c2 min	0,2 mm
r max	1 mm
B1	1 mm
D1	22 mm
Weight	0,0058 Kg
Dynamic load rating radial (C)	11 kN
Dynamic load rating axial (C)	10 kN
Static load rating radial (C0)	34,5 kN
Category	Bearings
Inventory	0.0
Manufacturer Name	SKF
Minimum Buy Quantity	N/A
Weight / Kilogram	0.005
Product Group	B04264
D <sub>1</sub>	22 mm
B <sub>1</sub>	1 mm

PCMF 141612 E Bearing 2D drawings and 3D CAD models



## BEARING INDUSTRIA CUSCINETTI S.P.A.

c <sub>1</sub> min.	0.1 mm
c <sub>1</sub> max.	0.6 mm
c <sub>2</sub> min.	0.2 mm
c <sub>2</sub> max.	1 mm
± 8	20 °
r max.	1 mm
Tolerance shaft	f7
Tolerance housing	H7
Basic dynamic load rating - radial direction C	11 kN
Basic static load rating - radial direction C <sub>0</sub>	34.5 kN
Basic dynamic load rating - axial direction C <sub>a</sub>	10 kN
Basic static load rating - axial direction C <sub>0a</sub>	31.5 kN
Specific dynamic load factor K	80 N/mm <sup>2</sup>
Specific static load factor K <sub>0</sub>	250 N/mm <sup>2</sup>
Factor depending on material and bearing type K <sub>M</sub>	480
Permissible sliding velocity v min.	0 m/s
Permissible sliding velocity v max.	2 m/s
Coefficient of friction μ min.	0.03
Coefficient of friction μ max.	0.25
Mass bushing	0.0058 kg