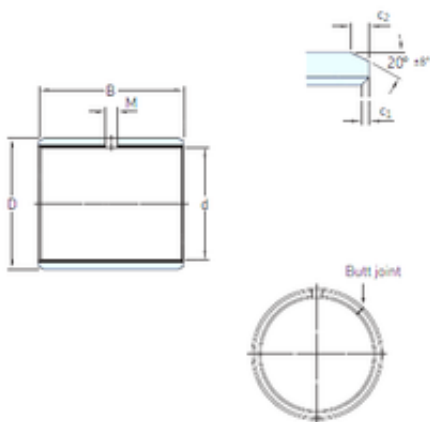




# BEARING INDUSTRIA CUSCINETTI S.P.A.

180 mm x 185 mm x 100 mm skf PCM  
180185100 E Plain bearings, Bushings



Bearing No. PCM 180185100 E

Size	180x185x100 mm
Bore Diameter	180 mm
Outer Diameter	185 mm
Width	100 mm
d	180 mm
D	185 mm
B	100 mm
c1 min	0,2 mm
c2 min	1,2 mm
M	– mm
Weight	1,1 Kg
Basic dynamic load rating (C)	1 430 kN
Category	Bearings
Inventory	0.0
Manufacturer Name	SKF
Minimum Buy Quantity	N/A
Weight / Kilogram	1.209
Product Group	B04264
c <sub>1</sub> min.	0.2 mm
c <sub>1</sub> max.	1 mm
c <sub>2</sub> min.	1.2 mm
c <sub>2</sub> max.	2.4 mm
± 8	20 °
Tolerance shaft	h8
Tolerance housing	H7

PCM 180185100 E Bearing 2D drawings and 3D CAD models



## BEARING INDUSTRIA CUSCINETTI S.P.A.

Basic dynamic load rating - radial direction C	1430 kN
Basic static load rating - radial direction $C_0$	4400 kN
Specific dynamic load factor K	80 N/mm <sup>2</sup>
Specific static load factor $K_0$	250 N/mm <sup>2</sup>
Factor depending on material and bearing type $K_M$	480
Permissible sliding velocity v min.	0 m/s
Permissible sliding velocity v max.	2 m/s
Coefficient of friction $\mu$ min.	0.03
Coefficient of friction $\mu$ max.	0.25
Mass bushing	1.1 kg