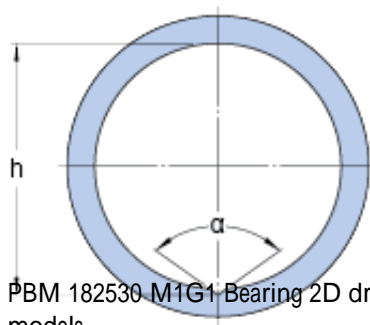
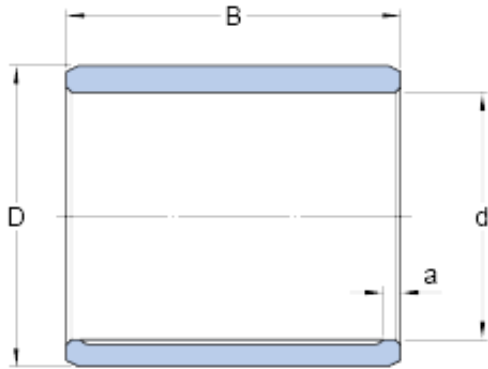




BEARING INDUSTRIA CUSCINETTI S.P.A.



PBM 182530 M1G1 Bearing 2D drawings and 3D CAD models

18 mm x 25 mm x 30 mm skf PBM 182530 M1G1 Plain bearings, Bushings

Bearing No. PBM 182530 M1G1

d	18 mm
D	25 mm
B	30 mm
a	3 mm
h	19 mm
	105 °
Tolerance shaft	e7
Tolerance housing	H7
Specific dynamic load factor K	25 N/mm ²
Specific static load factor K ₀	45 N/mm ²
Permissible sliding velocity v min.	0 m/s
Permissible sliding velocity v max.	0.5 m/s
Coefficient of friction μ min.	0.08
Coefficient of friction μ max.	0.15
Mass bushing	0.06 kg