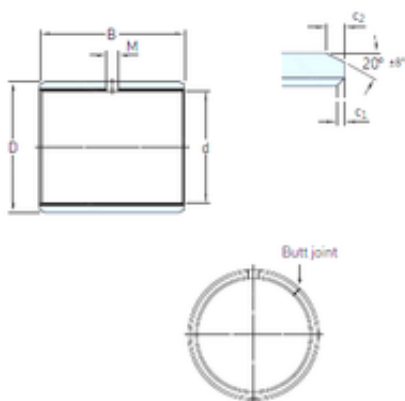




# BEARING INDUSTRIA CUSCINETTI S.P.A.



152,4 mm x 157,163 mm x 76,2 mm skf PCZ  
9648 E Plain bearings, Bushings

Bearing No. PCZ 9648 E

|  |                       |
|--|-----------------------|
| Size   | 152.4x157.163x76.2 mm |
| Bore Diameter  | 152,4 mm              |
| Outer Diameter   | 157,163 mm            |
| Width  | 76,2 mm               |
| d  | 152,4 mm              |
| D  | 157,163 mm            |
| B  | 76,2 mm               |
| c1 min   | 0,2 mm                |
| c2 min   | 1,2 mm                |
| M  | – mm                  |
| Weight   | 0,67 Kg               |
| Basic dynamic load rating (C)                              | 915 kN                |
| c <sub>1</sub> min.  | 0.2 mm                |
| c <sub>1</sub> max.  | 1 mm                  |
| c <sub>2</sub> min.  | 1.2 mm                |
| c <sub>2</sub> max.  | 2.4 mm                |
| ± 8  | 20 °                  |
| Shaft diameter range min.                                  | 152.337 mm            |
| Shaft diameter range max.                                  | 152.4 mm              |
| Housing bore range min.                                    | 157.119 mm            |
| Housing bore range max.                                    | 157.16 mm             |
| Basic dynamic load rating - radial direction C             | 915 kN                |
| Basic static load rating - radial direction C <sub>0</sub> | 2850 kN               |
|  |                       |

PCZ 9648 E Bearing 2D drawings and 3D CAD models



## BEARING INDUSTRIA CUSCINETTI S.P.A.

|  |                       |
|--|-----------------------|
| Specific dynamic load factor<br>K                                  | 80 N/mm <sup>2</sup>  |
| Specific static load factor K <sub>0</sub>                         | 250 N/mm <sup>2</sup> |
| Factor depending on<br>material and bearing type<br>K <sub>M</sub> | 480                   |
| Permissible sliding velocity v<br>min.                             | 0 m/s                 |
| Permissible sliding velocity v<br>max.                             | 2 m/s                 |
| Coefficient of friction μ<br>min.                                  | 0.03                  |
| Coefficient of friction μ<br>max.                                  | 0.25                  |
| Mass bushing   | 0.67 kg               |