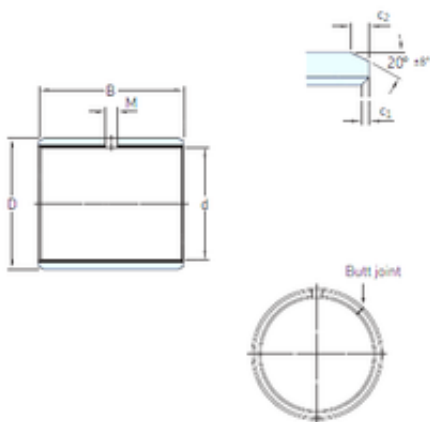




BEARING INDUSTRIA CUSCINETTI S.P.A.

18 mm x 20 mm x 15 mm skf PCM 182015 M
Plain bearings, Bushings



Bearing No. PCM 182015 M

Size	18x20x15 mm
Bore Diameter	18 mm
Outer Diameter	20 mm
Width	15 mm
d	18 mm
D	20 mm
B	15 mm
c1 min	0,1 mm
c2 min	0,2 mm
M	3 mm
Weight	0,005 Kg
Basic dynamic load rating (C)	32,5 kN
Category	Bearings
Inventory	0.0
Manufacturer Name	SKF
Minimum Buy Quantity	N/A
Weight / Kilogram	0.005
Product Group	B04264
c ₁ min.	0.1 mm
c ₁ max.	0.6 mm
c ₂ min.	0.2 mm
c ₂ max.	1 mm
± 8	20 °
Tolerance shaft	h8
Tolerance housing	H7

PCM 182015 M Bearing 2D drawings and 3D CAD models



BEARING INDUSTRIA CUSCINETTI S.P.A.

Basic dynamic load rating - radial direction C	32.5 kN
Basic static load rating - radial direction C_0	67 kN
Specific dynamic load factor K	120 N/mm ²
Specific static load factor K_0	250 N/mm ²
Factor depending on material and bearing type K_M	1900
Permissible sliding velocity v min.	0 m/s
Permissible sliding velocity v max.	2.5 m/s
Coefficient of friction μ min.	0.02
Coefficient of friction μ max.	0.2
Mass bushing	0.005 kg