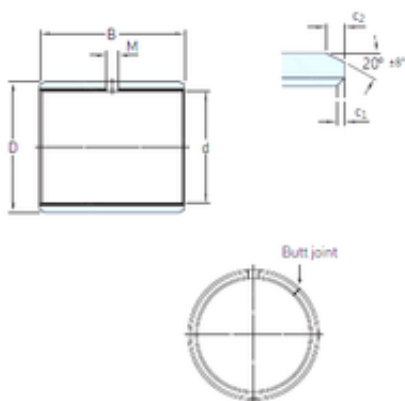




BEARING INDUSTRIA CUSCINETTI S.P.A.



101,6 mm x 106,363 mm x 95,25 mm skf PCZ
6460 E Plain bearings, Bushings

Bearing No. PCZ 6460 E

Size	101.6x106.363x95.25 mm
Bore Diameter	101,6 mm
Outer Diameter	106,363 mm
Width	95,25 mm
d	101,6 mm
D	106,363 mm
B	95,25 mm
c1 min	0,2 mm
c2 min	1,2 mm
M	– mm
Weight	0,565 Kg
Basic dynamic load rating (C)	765 kN
c ₁ min.	0.2 mm
c ₁ max.	1 mm
c ₂ min.	1.2 mm
c ₂ max.	2.4 mm
± 8	20 °
Shaft diameter range min.	101.544 mm
Shaft diameter range max.	101.6 mm
Housing bore range min.	106.319 mm
Housing bore range max.	106.355 mm
Basic dynamic load rating - radial direction C	765 kN
Basic static load rating - radial direction C ₀	2400 kN

PCZ 6460 E Bearing 2D drawings and 3D CAD models



BEARING INDUSTRIA CUSCINETTI S.P.A.

Specific dynamic load factor K	80 N/mm ²
Specific static load factor K ₀	250 N/mm ²
Factor depending on material and bearing type K _M	480
Permissible sliding velocity v min.	0 m/s
Permissible sliding velocity v max.	2 m/s
Coefficient of friction μ min.	0.03
Coefficient of friction μ max.	0.25
Mass bushing	0.56 kg