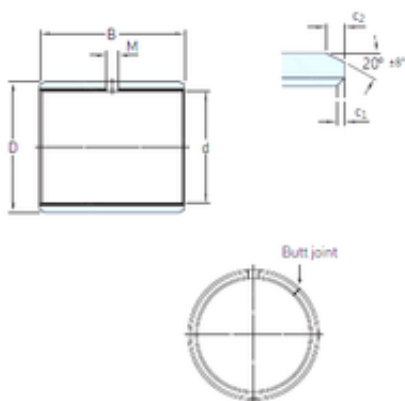




BEARING INDUSTRIA CUSCINETTI S.P.A.



12,7 mm x 15,081 mm x 12,7 mm skf PCZ 0808
E Plain bearings, Bushings

Bearing No. PCZ 0808 E

PCZ 0808 E Bearing 2D drawings and 3D CAD models

Size	12.7x15.081x12.7 mm
Bore Diameter	12,7 mm
Outer Diameter	15,081 mm
Width	12,7 mm
d	12,7 mm
D	15,081 mm
B	12,7 mm
c1 min	0,1 mm
c2 min	0,2 mm
M	– mm
Weight	0,0049 Kg
c ₁ min.	0.1 mm
c ₁ max.	0.6 mm
c ₂ min.	0.2 mm
c ₂ max.	1 mm
± 8	20 °
Shaft diameter range min.	12.649 mm
Shaft diameter range max.	12.675 mm
Housing bore range min.	15.072 mm
Housing bore range max.	15.09 mm
Basic dynamic load rating - radial direction C	12.9 kN
Basic static load rating - radial direction C ₀	40.5 kN
Specific dynamic load factor K	80 N/mm ²



BEARING INDUSTRIA CUSCINETTI S.P.A.

Specific static load factor K_0	250 N/mm ²
Factor depending on material and bearing type K_M	480
Permissible sliding velocity v min.	0 m/s
Permissible sliding velocity v max.	2 m/s
Coefficient of friction μ min.	0.03
Coefficient of friction μ max.	0.25
Mass bushing	0.0049 kg