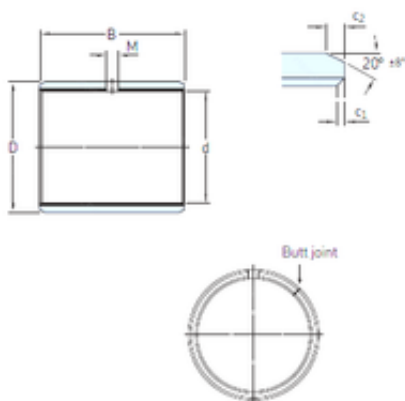




BEARING INDUSTRIA CUSCINETTI S.P.A.

47,625 mm x 52,388 mm x 47,625 mm skf PCZ
3030 M Plain bearings, Bushings



Bearing No. PCZ 3030 M

Size	47.625x52.388x47.625 mm
Bore Diameter	47,625 mm
Outer Diameter	52,388 mm
Width	47,625 mm
d	47,625 mm
D	52,388 mm
B	47,625 mm
c1 min	0,2 mm
c2 min	1,2 mm
M	5 mm
Weight	0,125 Kg
Basic dynamic load rating (C)	270 kN
c ₁ min.	0.2 mm
c ₁ max.	1 mm
c ₂ min.	1.2 mm
c ₂ max.	2.4 mm
± 8	20 °
Shaft diameter range min.	47.285 mm
Shaft diameter range max.	47.325 mm
Housing bore range min.	52.388 mm
Housing bore range max.	52.418 mm
Basic dynamic load rating - radial direction C	270 kN
Basic static load rating - radial direction C ₀	560 kN

PCZ 3030 M Bearing 2D drawings and 3D CAD models



BEARING INDUSTRIA CUSCINETTI S.P.A.

Specific dynamic load factor K	120 N/mm ²
Specific static load factor K ₀	250 N/mm ²
Factor depending on material and bearing type K _M	1900
Permissible sliding velocity v min.	0 m/s
Permissible sliding velocity v max.	2.5 m/s
Coefficient of friction μ min.	0.02
Coefficient of friction μ max.	0.2
Mass bushing	0.13 kg