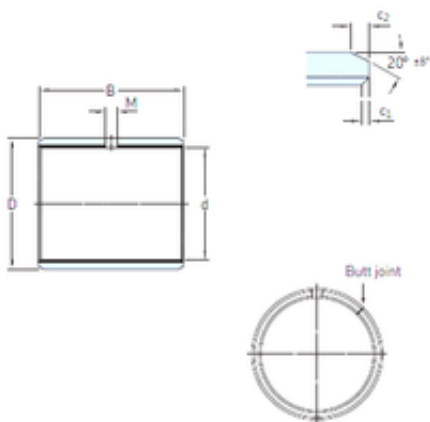




BEARING INDUSTRIA CUSCINETTI S.P.A.

4 mm x 5,5 mm x 10 mm skf PCM 040510
E/VB055 Plain bearings, Bushings



Bearing No. PCM 040510 E/VB055

Size	4x5.5x10 mm
Bore Diameter	4 mm
Outer Diameter	5,5 mm
Width	10 mm
d	4 mm
D	5,5 mm
B	10 mm
c1 min	0,1 mm
c2 min	0,2 mm
M	– mm
Weight	0,0008 Kg
Basic dynamic load rating (C)	3,2 kN
Category	Bearings
Inventory	0.0
Manufacturer Name	SKF
Minimum Buy Quantity	N/A
Weight / Kilogram	0.001
Product Group	B04264
c ₁ min.	0.1 mm
c ₁ max.	0.4 mm
c ₂ min.	0.2 mm
c ₂ max.	0.8 mm
± 8	20 °
Tolerance shaft	f7
Tolerance housing	H7

PCM 040510 E/VB055 Bearing 2D drawings and 3D CAD models



BEARING INDUSTRIA CUSCINETTI S.P.A.

Basic dynamic load rating - radial direction C	3.2 kN
Basic static load rating - radial direction C ₀	10 kN
Specific dynamic load factor K	80 N/mm ²
Specific static load factor K ₀	250 N/mm ²
Factor depending on material and bearing type K _M	480
Permissible sliding velocity v min.	0 m/s
Permissible sliding velocity v max.	2 m/s
Coefficient of friction μ min.	0.03
Coefficient of friction μ max.	0.25
Mass bushing	0.0008 kg