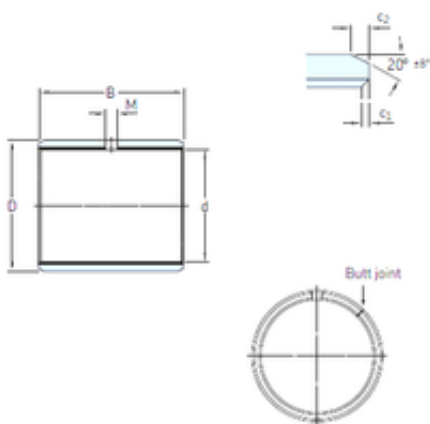




BEARING INDUSTRIA CUSCINETTI S.P.A.



16 mm x 18 mm x 20 mm skf PCM 161820 M
Plain bearings, Bushings

Bearing No. PCM 161820 M

Size	16x18x20 mm
Bore Diameter	16 mm
Outer Diameter	18 mm
Width	20 mm
d	16 mm
D	18 mm
B	20 mm
c1 min	0,1 mm
c2 min	0,2 mm
M	3 mm
Weight	0,006 Kg
Basic dynamic load rating (C)	38 kN
Category	Plain Bearings
Inventory	0.0
Manufacturer Name	SKF
Minimum Buy Quantity	N/A
Weight / Kilogram	0.006
Product Group	B04264
c ₁ min.	0.1 mm
c ₁ max.	0.6 mm
c ₂ min.	0.2 mm
c ₂ max.	1 mm
± 8	20 °
Tolerance shaft	h8
Tolerance housing	H7

PCM 161820 M Bearing 2D drawings and 3D CAD models



BEARING INDUSTRIA CUSCINETTI S.P.A.

Basic dynamic load rating - radial direction C	38 kN
Basic static load rating - radial direction C_0	80 kN
Specific dynamic load factor K	120 N/mm ²
Specific static load factor K_0	250 N/mm ²
Factor depending on material and bearing type K_M	1900
Permissible sliding velocity v min.	0 m/s
Permissible sliding velocity v max.	2.5 m/s
Coefficient of friction μ min.	0.02
Coefficient of friction μ max.	0.2
Mass bushing	0.006 kg