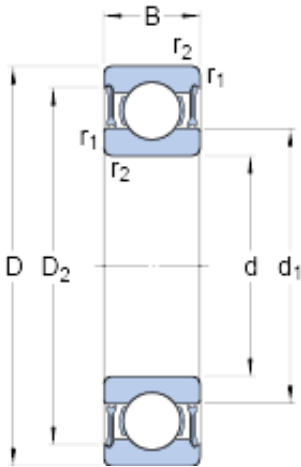




BEARING INDUSTRIA CUSCINETTI S.P.A.



12 mm x 37 mm x 12 mm skf W 6301-2RZ Deep groove ball bearings

Bearing No. W 6301-2RZ

W 6301-2RZ Bearing 2D drawings and 3D CAD models

Size	37x12x12 mm
Bore Diameter	37 mm
Outer Diameter	12 mm
Width	12 mm
d	12 mm
D	37 mm
B	12 mm
d ₁	19.3 mm
D ₂	31.9 mm
r _{1,2} - min.	1 mm
D _a - max.	32 mm
r _a - max.	1 mm
Basic dynamic load rating - C	8.3 kN
Basic static load rating - C ₀	4.2 kN
Fatigue load limit - P _u	0.176 kN
Reference speed	48000 r/min
Limiting speed	24000 r/min
Calculation factor - k _r	0.035
Calculation factor - f ₀	11.1
d ₁	19.3 mm
D ₂	31.92 mm
r _{1,2} min.	1 mm
d _a min.	17 mm
d _a max.	19 mm



BEARING INDUSTRIA CUSCINETTI S.P.A.

D_a max.	32 mm
r_a max.	1 mm
Basic dynamic load rating C	8.32 kN
Basic static load rating C_0	4.15 kN
Fatigue load limit P_u	0.176 kN
Calculation factor k_r	0.035
Calculation factor f_0	11.1
Mass bearing	0.059 kg