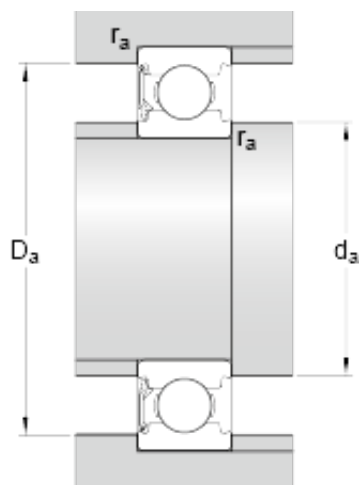




BEARING INDUSTRIA CUSCINETTI S.P.A.



25 mm x 62 mm x 17 mm skf 6305-RSH Deep groove ball bearings

Bearing No. 6305-RSH

d	25 mm
D	62 mm
B	17 mm
d ₂	33 mm
D ₂	52.7 mm
r _{1,2} min.	1.1 mm
d _a min.	32 mm
d _a max.	36.5 mm
D _a max.	55 mm
r _a max.	1 mm
Basic dynamic load rating C	23.4 kN
Basic static load rating C ₀	11.6 kN
Fatigue load limit P _u	0.49 kN
Limiting speed	7500 r/min
Calculation factor k _r	0.03
Calculation factor f ₀	12.4
Mass bearing	0.23 kg

6305-RSH Bearing 2D drawings and 3D CAD models