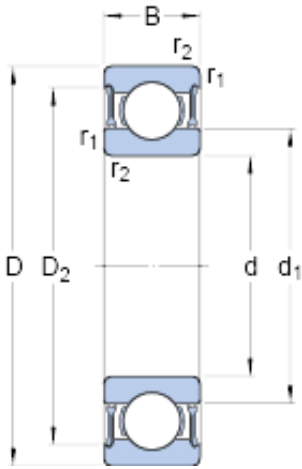




# BEARING INDUSTRIA CUSCINETTI S.P.A.



17 mm x 35 mm x 10 mm skf W 6003-2RZ Deep groove ball bearings

Bearing No. W 6003-2RZ

W 6003-2RZ Bearing 2D drawings and 3D CAD models

Size	35x17x10 mm
Bore Diameter	35 mm
Outer Diameter	17 mm
Width	10 mm
d	17 mm
D	35 mm
B	10 mm
d <sub>1</sub>	23.5 mm
D <sub>2</sub>	31.85 mm
r <sub>1,2</sub> - min.	0.3 mm
D <sub>a</sub> - max.	33 mm
r <sub>a</sub> - max.	0.3 mm
Basic dynamic load rating - C	4.9 kN
Basic static load rating - C <sub>0</sub>	3.2 kN
Fatigue load limit - P <sub>u</sub>	0.137 kN
Reference speed	45000 r/min
Limiting speed	22000 r/min
Calculation factor - k <sub>r</sub>	0.03
Calculation factor - f <sub>0</sub>	14.1
d <sub>1</sub>	23.5 mm
D <sub>2</sub>	31.85 mm
r <sub>1,2</sub> min.	0.3 mm
d <sub>a</sub> min.	19 mm
d <sub>a</sub> max.	23 mm



## BEARING INDUSTRIA CUSCINETTI S.P.A.

$D_a$ max.	33 mm
$r_a$ max.	0.3 mm
Basic dynamic load rating C	4.94 kN
Basic static load rating $C_0$	3.15 kN
Fatigue load limit $P_u$	0.137 kN
Calculation factor $k_r$	0.03
Calculation factor $f_0$	14.1
Mass bearing	0.038 kg